



深圳市希恩凯电子有限公司

SHENZHEN CNK ELECTRONIC CO.,LTD.

产品规格书

Product Specification For LCD Module

模组型号 (MODEL NO): CNKT01440-14001B

版本 (REVISION): 00

客户 (CUSTOMER)	
客户型号 (CUSTOMER Model NO)	
客户核准 (CUSTOMER APPROVAL)	

LEAGEND LCM R&D CENTER :

制定 PREPARED BY	审核 CHECKED BY	核准 APPROVED BY



1. GENERAL SPECIFICATION

- 1 Display format: 128 * 128 dot matrix graphic
- 2 Module dimension: 29.5(L)×36.5(W)×2.7(T)mm
- 3 Active area: 25.4976×26.496mm
- 4 Dot pitch: 0.1992×0.207mm
- 5 LCD type: TFT
- 6 Viewing angle: 12 O'clock
- 7 LCD controller and driver: 7735
- 8 Microprocessor interface: Parallel 8080 8-bit
- 9 Backlight:1 die White side LED

2. MAXIMUM ABSOLUTE LIMIT

Item	Symbol	Standard value	Unit
Power supply voltage for logic	VDD	-0.3~+4.8	V
	VDDI	-0.3~+4.6	V
Operating temperature	Topr	-20~+70	°C
Storage temperature	Tstg	-30~+80	°C

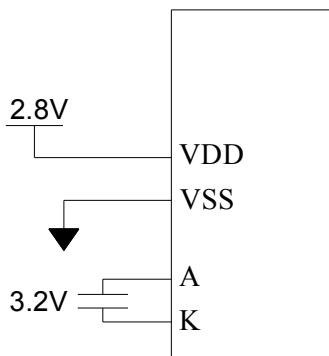
Note: Voltage greater than above may damage the module
All voltages are specified relative to VSS=0V

3. ELECTRICAL CHARACTERISTICS.

DC Characteristics

Item	Symbol	Min	Typ	Max	Unit	Test condition
Supply voltage for logic	V _{DD}	-	2.8	-	V	-
Supply voltage for I/O	V _{DDI}	-	1.8	-	V	-
Backlight voltage	V _{BL}	3.0	3.2	3.3	V	I _{BL} =20mA

4. APPLICATION CIRCUIT





5. MECHANICAL SPECIFICATION

REV.	DESCRIPTION OF MODIFY	MODIFY BY:	DATE
A1	1'ST DESIGN	ZUC	2012.09.12

FPC 反折后参考图 FPC展开出货

Specifications:
 1. Display Mode: 262K Color TFT/Transmissive
 2. Drive Method: VCI=2.8V, IVDDC=1.8V
 3. Viewing direction: 12 O'clock
 4. Operating Temp: -20 ~ +70°C
 Storage Temp: -30 ~ +80°C
 5. Connector: CDGGLCD+FPC+BLJ
 6. Display Driver: 7735
 7. Backlight: 1 die White side LED Vf=3.2V If=20mA
 8. Unspecified tolerance is ±0.20mm
 9. RDHS Request

LCM NO.:		DMG NO.:	
CD		CNKT01440-14001B	
SCALE: FIT	DESIGNED BY:	CHECKED BY:	APPROVED BY:
SHEET: 1 OF 1			
UNIT: MM	DATE		

深圳市希恩凯电子有限公司
SHENZHEN CNK ELECTRONIC CO.,LTD.

NO.	SYMBOL
01	Y-
02	X-
03	Y+
04	X+
05	NC
06	GND
07	VDD
08	DB7
09	DB6
10	DB5
11	DB4
12	DB3
13	DB2
14	DB1
15	DB0
16	RD
17	WR
18	AD
19	RESET
20	CS
21	LEDK
22	LEDK
23	LEDA



6.PIN DESCRIPTION

Pin no.	Symbol	Function
1	Y-	No connection
2	X-	
3	Y+	
4	X+	
5	NC	
6	GND	Ground
7	VDD	Power supply for logic
8	DB7	Data bus
9	DB6	
10	DB5	
11	DB4	
12	DB3	
13	DB2	
14	DB1	
15	DB0	
16	RD	Read /Write enable control signal
17	WR	Read /Write execution control signal
18	A0	It determines whether the access is related to data or command. A0="H" : Indicates that signals on D[7:0] are display data. A0="L" : Indicates that signals on D[7:0] are command.
19	/RESETB	When /RESETB is set to "L", the register settings are initialized
20	/CS	Chip select signal, When /CS = 'L', the chip select becomes active, and data/command I/O is enabled
21	LED_K	Cathode of LED backlight
22	LED_K	Cathode of LED backlight
23	LEDA	Anode of LED backlight