



深圳市希恩凯电子有限公司

SHENZHEN CNK ELECTRONIC CO.,LTD.

产品规格书

Product Specification For LCD Module

模组型号 (MODEL NO): CNKT01440-18026A1

版本 (REVISION): 00

客户 (CUSTOMER)	
客户型号 (CUSTOMER Model NO)	
客户核准 (CUSTOMER APPROVAL)	

LEAGEND LCM R&D CENTER :

制定 PREPARED BY	审核 CHECKED BY	核准 APPROVED BY



1. GENERAL SPECIFICATION

- 1 Display format: 128 * 128 dot matrix graphic
- 2 Module dimension: 29.5(L)×36.5(W) ×2.5(T)mm
- 3 Active area: 25.4976×26.496mm
- 4 Dot pitch: 0.1992×0.207mm
- 5 LCD type: TFT
- 6 12 O'clock
- 7 LCD controller and driver: 7735
- 8 Microprocessor interface:
- 9 Backlight:1 die White side LED

2. MAXIMUM ABSOLUTE LIMIT

Item	Symbol	Standard value	Unit
Power supply voltage for logic	VDD	-0.3~+4.8	V
	VDDI	-0.3~+4.6	V
Operating temperature	Topr	-20~+70	°C
Storage temperature	Tstg	-30~+80	°C

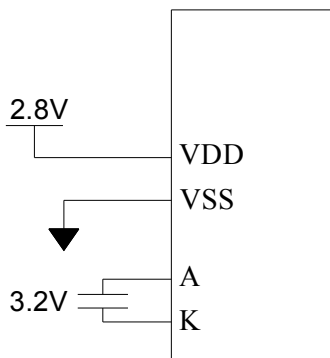
Note: Voltage greater than above may damage the module
All voltages are specified relative to VSS=0V

3. ELECTRICAL CHARACTERISTICS.

DC Characteristics

Item	Symbol	Min	Typ	Max	Unit	Test condition
Supply voltage for logic	V _{DD}	-	2.8	-	V	-
Supply voltage for I/O	V _{DDI}	-	1.8	-	V	-
Backlight voltage	V _{BL}	3.0	3.2	3.3	V	I _{BL} =20mA

4. APPLICATION CIRCUIT





6.PIN DESCRIPTION

Pin no.	Symbol	Function
1	TG_IN	Chip selection pin
2	LEDA	LEDA
3	LEDK	LEDK
4-8	NC	NC
9	VDD	Power supply for analog
10	VSS	Ground
11	CD(A0)	Select register data "H"and instruction"L"
12	/CS	Chip select input pin ("Low" enable).
13	/RES	Chip reset pin ("Low Active").
14	SDA	Serial data input
15	SCLK	Serial clock input