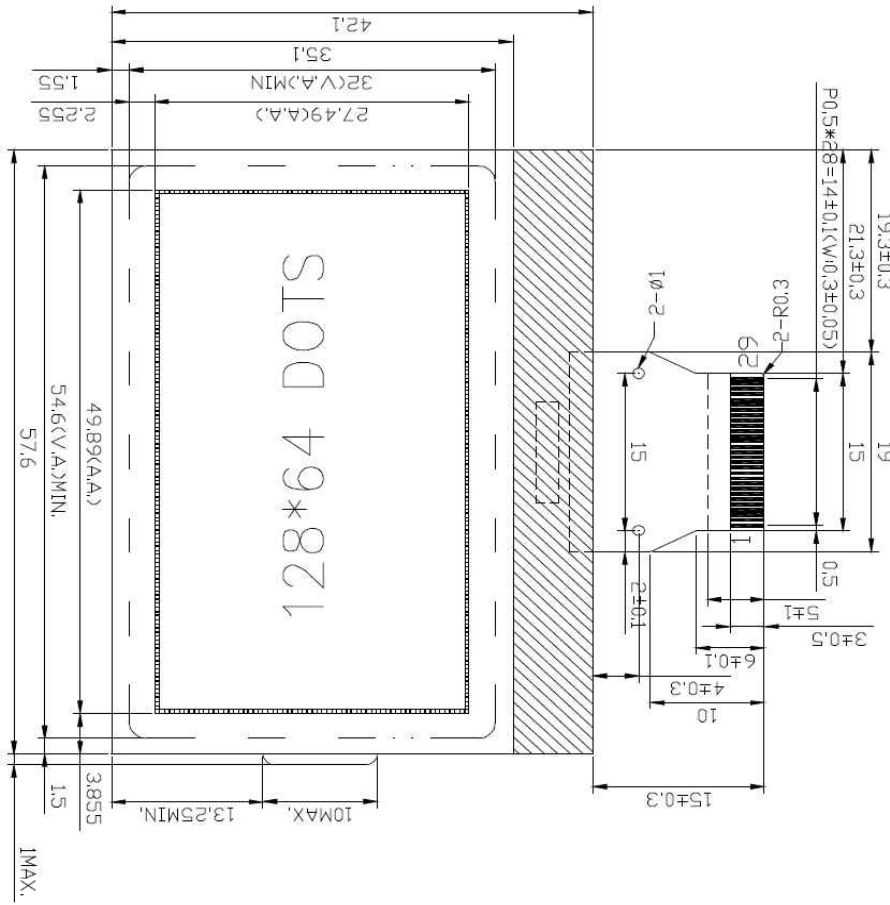
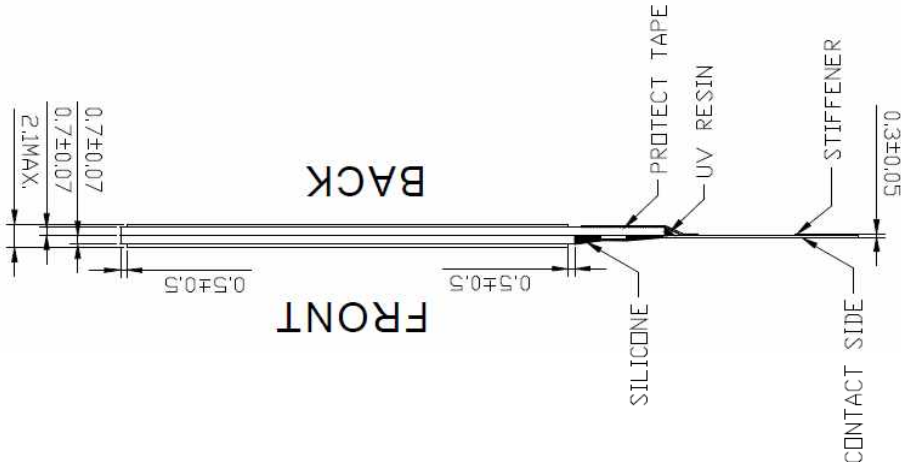


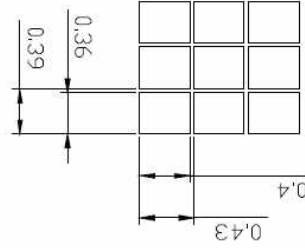
PIN FUNCTION

PIN NO.	SYMBOL	PIN NO.	SYMBOL
1	P/S	16	VDD
2	C86	17	D7
3	VR	18	D6
4	V0	19	D5
5	V1	20	D4
6	V2	21	D3
7	V3	22	D2
8	V4	23	D1
9	CAP2N	24	D0
10	CAP2P	25	/RD(E)
11	CAP1P	26	/WR(R/W)
12	CAP1N	27	A0
13	CAP3P	28	/RES
14	VOUT	29	/CS1
15	VSS		



↑ 6 O'CLOCK VIEWING DIRECTION

- NOTES:
- 1.DISPLAY TYPE: FSTN
  - 2.VIEW DIRECTION: 6 O'CLOCK
  - 3.POLARIZER TYPE: TRANSPARENT/POSITIVE
  - 4.DRIVER METHOD: 1/65DUTY 1/9BIAS
  - 5.LCD DRIVING VOLTAGE: 9.45V
  - 6.LOGIC SUPPLY VOLTAGE: 3.3V
  - 7.OPERATING TEMP.: -20°C ~ +70°C
  - 8.STORAGE TEMP.: -30°C ~ +80°C
  - 9.CONTROLLER/DRIVE IC: ST7568P-G
  - 10.CONNECTOR TYPE: COG+FPC
  - 11.OTHER TOLERANCE: ±0.2mm



DOT SIZE  
SCALE: 10X