



SC2002F (20 CHARACTERS x 2 LINES)

FEATURES

- 5 x 7 DOTS WITH CURSOR
- BUILT-IN CONTROLLER (ST7066 OR EQUIVALENT)
- 3.3V / 5.0V POWER SUPPLY
- 1/16 DUTY CYCLE
- 8-BIT PARALLEL INTERFACE

MECHANICAL DATA

| ITEM | DIMENSIONS | UNIT |
|---------------------------|-------------------|------|
| Module Size (W x H x T) | 71.2 x 25.2 x 8.7 | mm |
| Viewing Area (W x H) | 65.0 x 16.0 | mm |
| Character Size (W x H) | 2.56 x 5.56 | mm |
| Character Pitch (W x H) | 3.06 x 5.94 | mm |
| Dot Size (W x H) | 0.48 x 0.66 | mm |
| Dot Pitch (W x H) | 0.52 x 0.70 | mm |

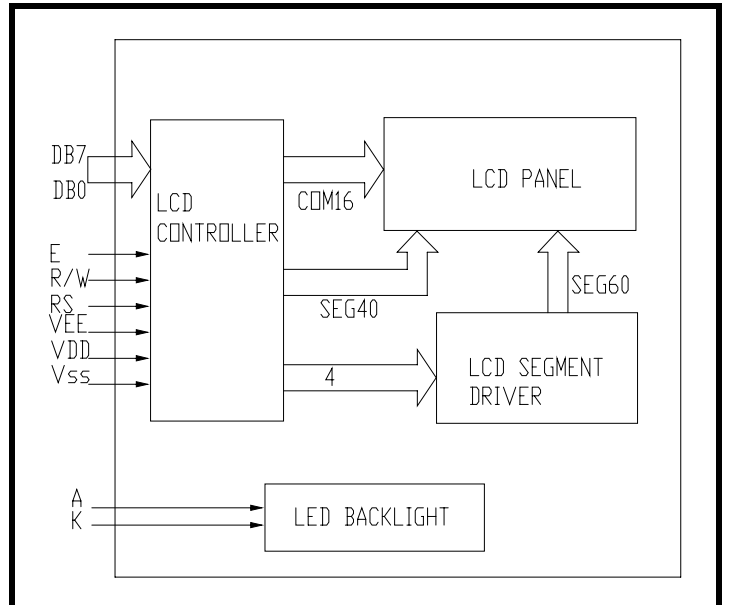
INTERFACE PIN CONNECTIONS

| NO. | SYMBOL | FUNCTION | NO. | SYMBOL | FUNCTION |
|-----|--------|-----------------|-----|--------|------------|
| 1 | VSS | Supply Ground | 9 | DB2 | Data Bit 2 |
| 2 | VDD | Supply Voltage | 10 | DB3 | Data Bit 3 |
| 3 | Vo | Contrast Adj. | 11 | DB4 | Data Bit 4 |
| 4 | RS | Register Select | 12 | DB5 | Data Bit 5 |
| 5 | R/W | Read/Write | 13 | DB6 | Data Bit 6 |
| 6 | E | Enable Signal | 14 | DB7 | Data Bit 7 |
| 7 | DB0 | Data Bit 0 | 15 | A | LED Power |
| 8 | DB1 | Data Bit 1 | 16 | K | LED Power |

ELECTRICAL CHARACTERISTICS

| ITEM | SYMBOL | CONDITION | MIN. | TYP. | MAX. | UNIT |
|-----------------------|---------------------|-----------------|------|------|------|-------------------|
| LCD Operating Voltage | V _{DD-Vo} | T=0 | - | 4.8 | - | V |
| | | T=25 | - | 4.5 | - | V |
| | | T=50 | - | 4.2 | - | V |
| Supply Voltage | V _{DD-VSS} | - | 2.7 | 5 | 5.5 | V |
| Supply Current | I _{DD} | - | - | 3.2 | 6 | mA |
| Input Voltage | "HIGH" Level | V _{IH} | - | 2.2 | - | V _{DD} V |
| | "LOW" Level | V _{IL} | - | 0 | - | 0.6 V |
| Output Voltage | "HIGH" Level | V _{OH} | - | 2.4 | - | V |
| | "LOW" Level | V _{OL} | - | - | - | 0.4 V |

BLOCK DIAGRAM



EXTERNAL DIMENSIONS

