

SD1602E (16 CHARACTERS x 2 LINES)

FEATURES

- ◆ 5 x 7 DOTS WITH CURSOR
- ◆ BUILT-IN CONTROLLER (KS0066 OR EQUIVALENT)
- ◆ 2.7~5.5 V POWER SUPPLY
- ◆ 1/16 DUTY CYCLE
- ◆ 8-BIT PARALLEL INTERFACE

MECHANICAL DATA

ITEM	DIMENSIONS	UNIT
Module Size (W x H x T)	66.7 x 23.3 x 5.2	mm
Viewing Area (W x H)	61.0 x 15.9	mm
Character Size (W x H)	2.95 x 5.55	mm
Character Pitch (W x H)	3.55 x 6.3	mm
Dot Size (W x H)	0.55 x 0.65	mm
Dot Pitch (W x H)	0.60 x 0.70	mm

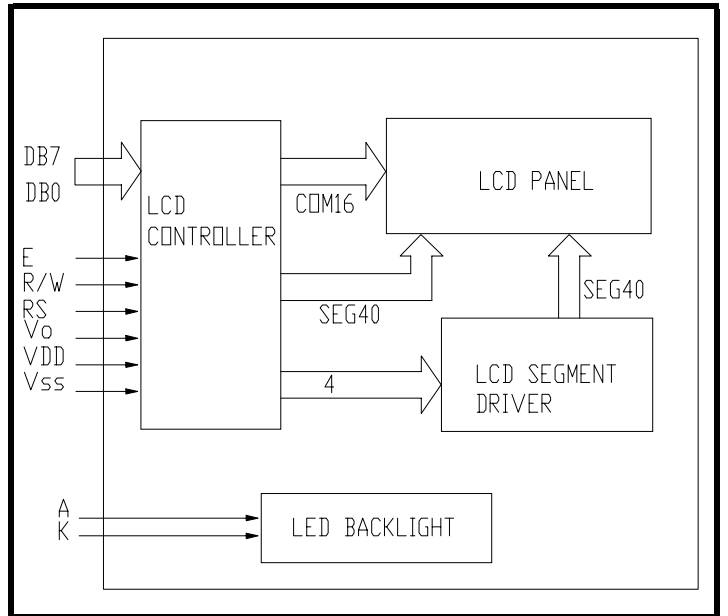
INTERFACE PIN CONNECTIONS

NO.	SYMBOL	FUNCTION	NO.	SYMBOL	FUNCTION
1	VDD	Supply Voltage	9	DB3	Data Bit 3
2	Vo	Contrast Adj.	10	DB4	Data Bit 4
3	RS	Register Select	11	DB5	Data Bit 5
4	R/W	Read/Write	12	DB6	Data Bit 6
5	E	Enable Signal	13	DB7	Data Bit 7
6	DB0	Data Bit 0	14	VSS	Supply Ground
7	DB1	Data Bit 1			
8	DB2	Data Bit 2			

ELECTRICAL CHARACTERISTICS

ITEM	SYMBOL	CONDITION	MIN.	TYP.	MAX.	UNIT
LCD Operating Voltage	VDD-Vo	T=0°C	-	4.8	-	V
		T=25°C	-	4.5	-	V
		T=50°C	-	4.2	-	V
Supply Voltage	VDD-VSS	-	2.7	5	5.5	V
Supply Current	IDD	-	-	3.2	6	mA
Input Voltage	"HIGH" Level	V _{IH}	-	2.2	-	V _{DD} V
	"LOW" Level	V _{IL}	-	0	-	0.6 V
Output Voltage	"HIGH" Level	V _{OH}	-	2.4	-	V
	"LOW" Level	V _{OL}	-	-	-	0.4 V

BLOCK DIAGRAM



EXTERNAL DIMENSIONS

