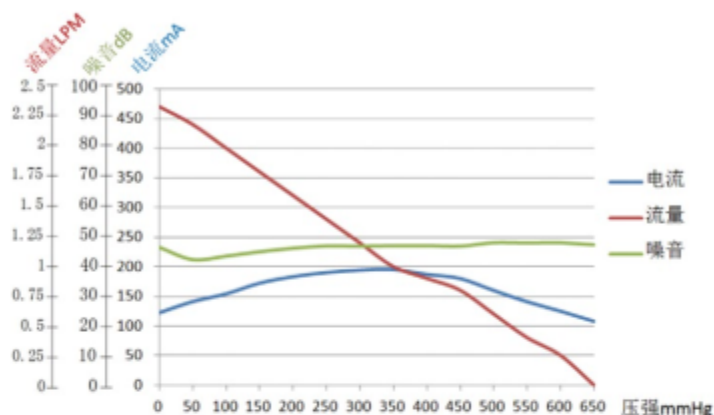


充气泵 / WP27B系列 Series

应用领域: 血压计、监护仪、眼保仪...

Application: Blood Pressure Monitor, Air Pressure Massage, Patient Monitor...

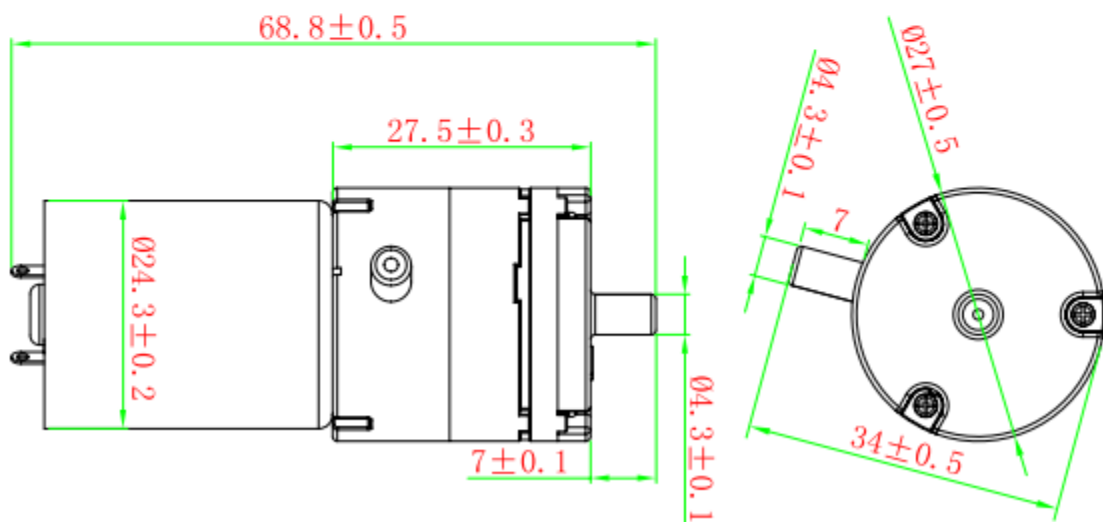


WP27B-12特性曲线图

产品特性 Characteristic

型号 Type	定格电压 Rated voltage	定格电流 Working current	最大流量 Max flow	最大压力 Max Pressure	气密性 Leakage	充气时间 Inflation time (10000-300mmHG) 以上蓝色部分根据以下容器变化而变化	噪音 Noise	寿命 Life test
WP27B-3	DC3V	≤600mA	≥1.5LPM	≥400mmHg	≤10mmHg/min	≤10S(500CC容器)	≤55dB	400H
WP27B-6	DC6V	≤430mA	≥1.5LPM	≥400mmHg	≤10mmHg/min	≤10S(500CC容器)	≤55dB	400H
WP27B-12	DC12V	≤230mA	≥1.5LPM	≥400mmHg	≤10mmHg/min	≤10S(500CC容器)	≤55dB	400H
WP27B-24	DC24V	≤200mA	≥1.5LPM	≥400mmHg	≤10mmHg/min	≤10S(500CC容器)	≤55dB	400H

产品尺寸 Product Size



包装明细/Product Size

箱规/ Carton Specifications: 440*360*270mm

数量/箱 Quantity/Box: 275 PCS/Ctn

净重/箱 Weight/box: 17.4kg/Ctn